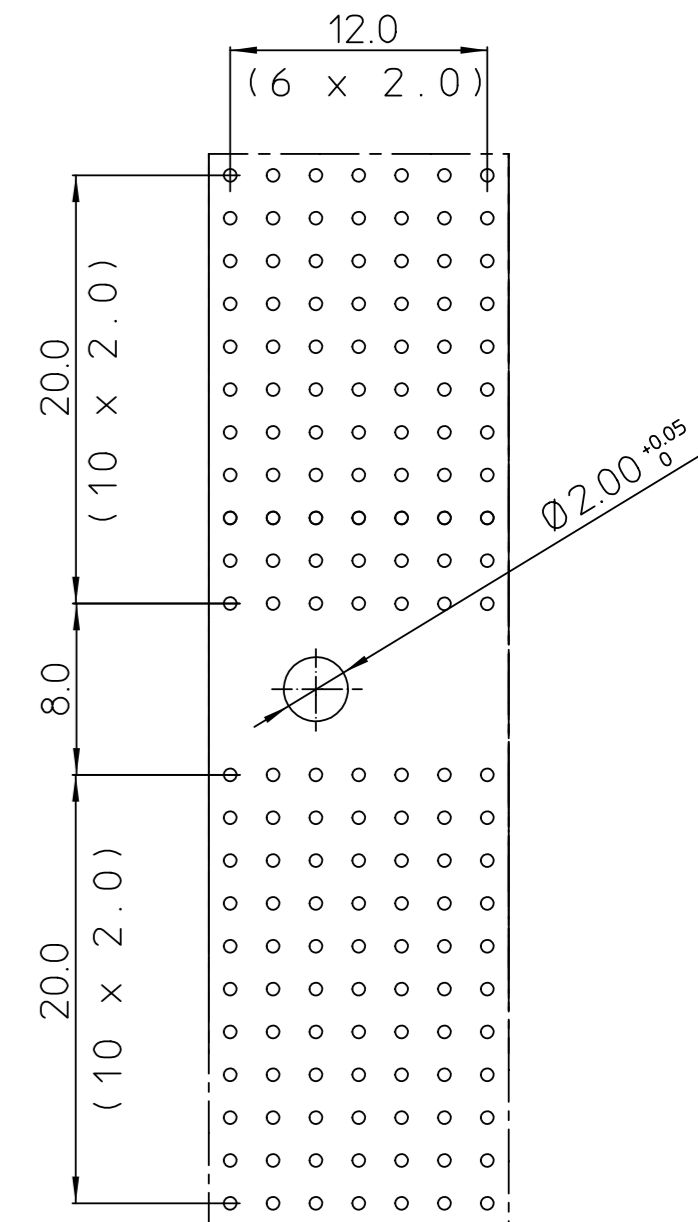
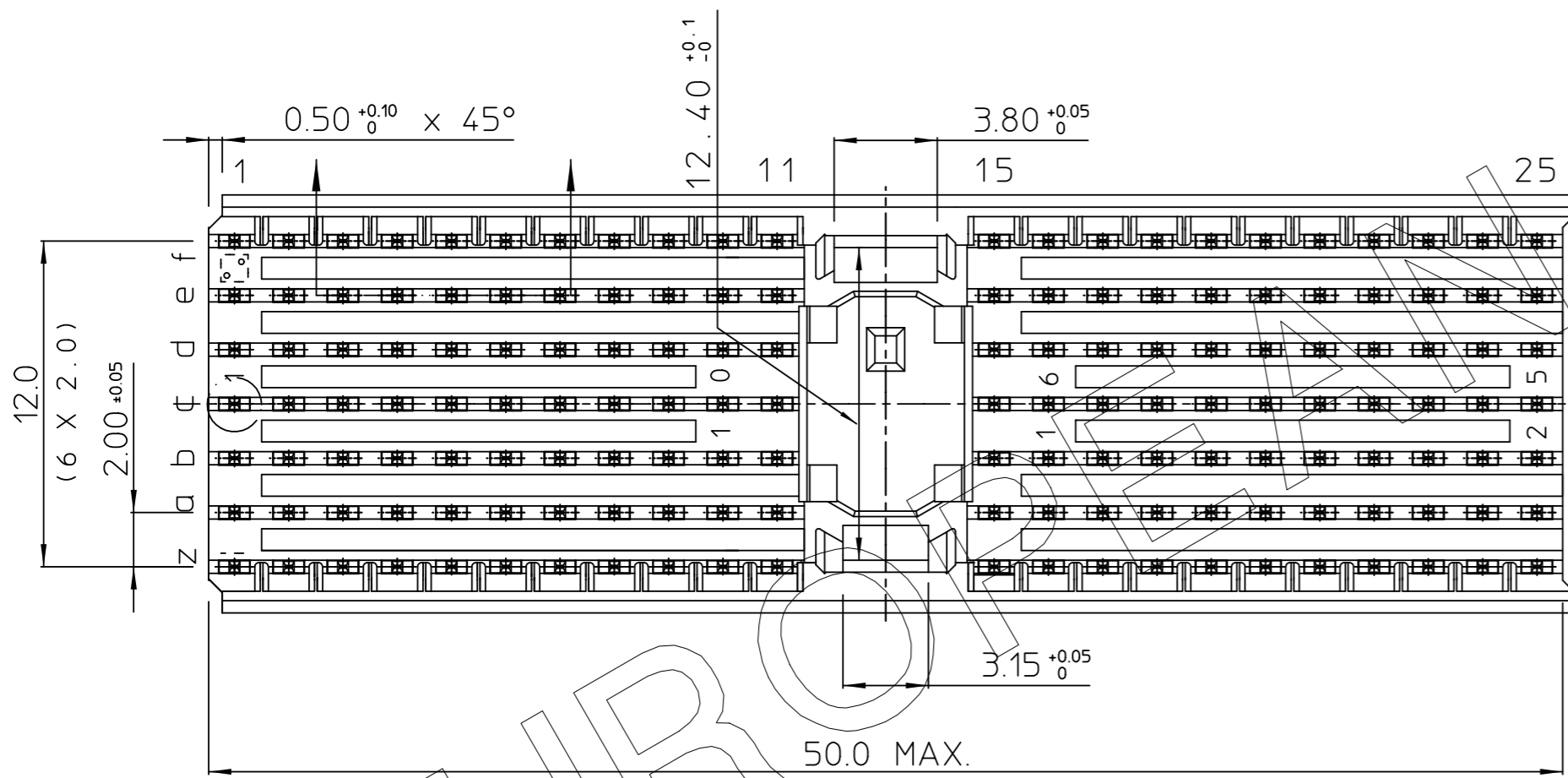
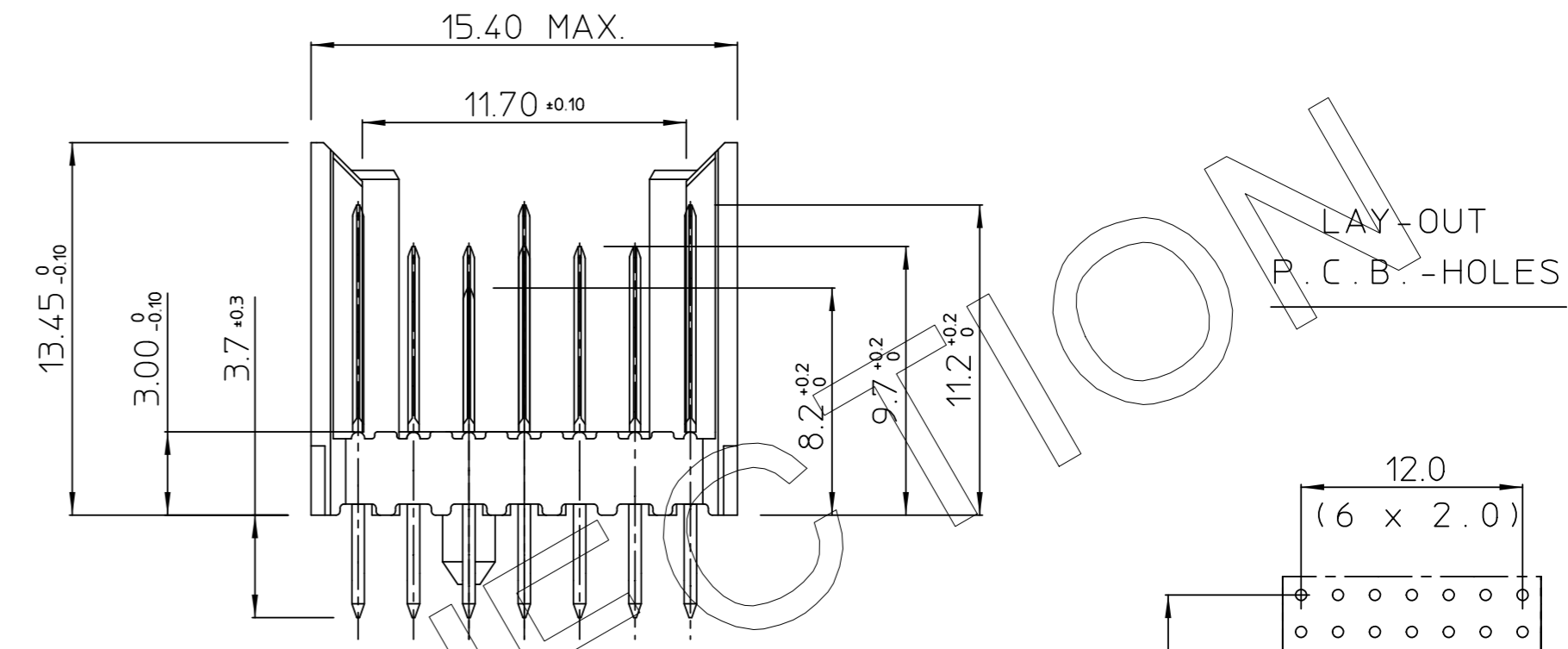
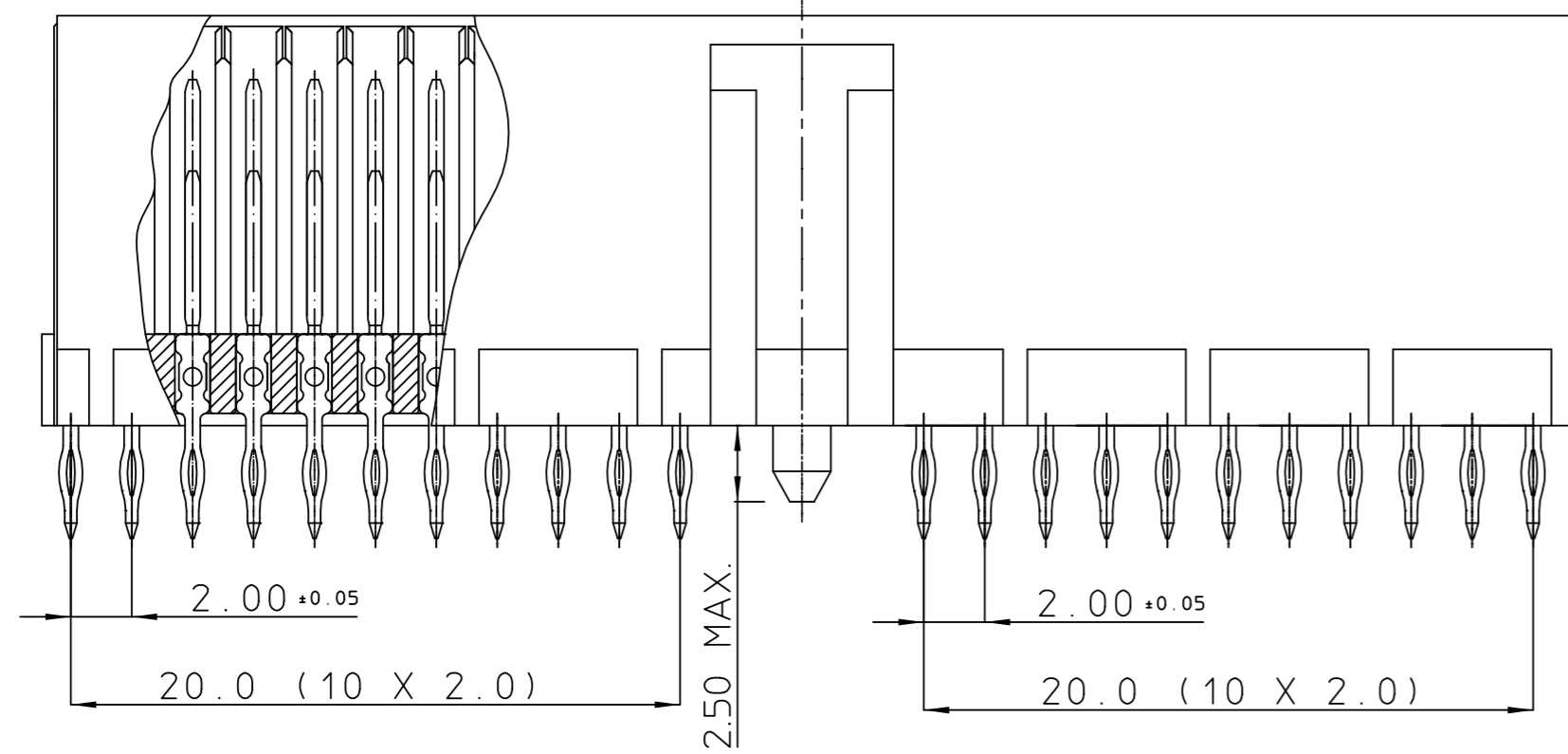


GEN. ST.	01	02	03	04	05	06	07	08	0D	50	60	70	80	90																	
INT. ST.	10	11	12	13	14	18	20	31	32	33	34	38	39	40	42	43	44	45	46	48	56	70	72	73	75	76	81	82	83	84	88

REV.	DATE	DESCRIPTION	BY	C'K'D'
A	14-09-01	CONVERSION REVISION 04	KN	



PERFORMANCE CHARACTERISTICS

- CURRENT RATING : 1,5 A AT 20°C (FULLY LOADED)
- 1 A AT 70°C (FULLY LOADED)
- RATED VOLTAGE : 500 V AC (CONT / CONT)
- OPERATING TEMPERATURE : -55°C TO 125°C
- CONTACT RESISTANCE : 20 mΩ MAX
- INSERTION FORCE : 0.75 N MAX / CONT
- EXTRACTION FORCE : 0.15 N MIN / CONT
- INSULATION RESISTANCE : 10⁴ MΩ MIN

NOTES

- "--" PERFORMANCE LEVEL INDICATION: Z1= PL3 (SHORT) | GC= PL3 (REAR PLUG-UP)
(SEE CAT.NR.) N9= PL2 | GF= PL2
E9= PL1 | GL= PL1
- THIS PRODUCT IS CSA APPROVED.
THIS PRODUCT IS UL RECOGNIZED.

CONTACT LAY-OUT

- ROW Z, F : MATING LEVEL 3 / SHORT TERMINATION
ALL POS
- ROW A, B, E : MATING LEVEL 2 / SHORT TERMINATION
ALL POS
- ROW C : MATING LEVEL 2 / SHORT TERMINATION
ALL POS EXCEPT POS 10: MATING LEVEL 3
- ROW D : MATING LEVEL 2 / SHORT TERMINATION
ALL POS EXCEPT POS 11: MATING LEVEL 1

THIS IS OUR EXCLUSIVE PROPERTY. IT IS NOT TO BE COPIED, REPRINTED OR DISCLOSED TO A THIRD PARTY, NOR USED FOR MANUFACTURING WITHOUT OUR WRITTEN CONSENT, AND HAS TO BE RETURNED TO US IN CASE OF NO USAGE

DIT IS ONZE EIGENDOM EN MAG NOCH NAGEMAAKT, HERDRUKT, OVERGEMAAKT AAN DERDEN, NOCH VOOR FABRIKATIE GEBRUIKT WORDEN, ZONDER ONZE SCHRIFTELIJKE TOELATING. BIJ NIET GEBRUIK IS TERUGZENDING VERPLICHT.

MALE SIGNAL STRAIGHT PRESS-FIT-TO-BOARD CONNECTOR WITH SERVICECENTER (WIDE BODY)

1DEC ±0,2 1DEC 2DEC ±0,1 2DEC ANGLES ±1° HOEKEN	APPR. DRAFT CHECKED	DATE 16.05.94	SIGN. W.Panis	MILLIPACS 2 / TYPE A / SHIELDED (25 POS.) CAT. No. HM2P07PDG1A1--
WE RESERVE THE RIGHT TO CHANGE DIMENSIONS OR REQUIREMENTS WITHOUT PRIOR NOTICE.	PROD. MGR. PR. ENG. MGR. PR. MGT. MGR.			SCALE 3 / 1
ALL DIMENSIONS IN MM	REFERENCES / REFERENTIES			FCI FCI MECHELEN N.V. A. SPINOYSTRAAT 8, 2800 MECHELEN
ALLE AFMETINGEN IN MM				BS,C , 201632, 018 DRAWING No. CUSTOMER DRAWING REVISION A